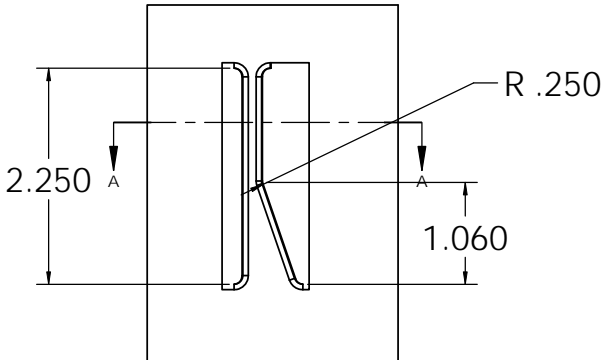
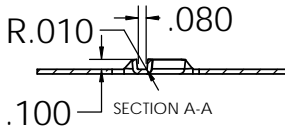


**TOBAR FORM TOOL WT07-4491**  
**Mat'l = .048 Mild Steel**



ACCOUNT NO. 940439400

SOLD TO TOBAR INDUSTRY  
 161 E EVELYN  
 MOUNTAINVIEW,  
 CA 94041

SHIP TO TOBAR INDUSTRY  
 355 PIONEER WAY  
 MOUNTAINVIEW,  
 CA 94041



W074491940515

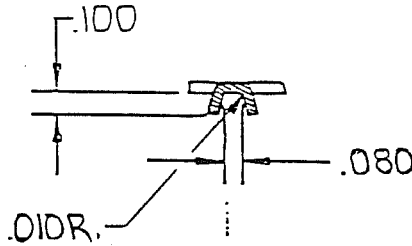
SHIP VIA P.O. NUMBER 6379 3 OF 4

FED STD R.W. 07-4492

ORDER NUMBER 074491	ORDER DATE 05-04-93	TARGET SHIP DATE 05-18-93	QUESTIONS CONTACT Ron Steiner	NC NUMBER 331807	TERMS NET 10
------------------------	------------------------	------------------------------	----------------------------------	---------------------	-----------------

SALES NO. 5 SHIPPING INSTRUCTION  
 CHUCK KENDALL

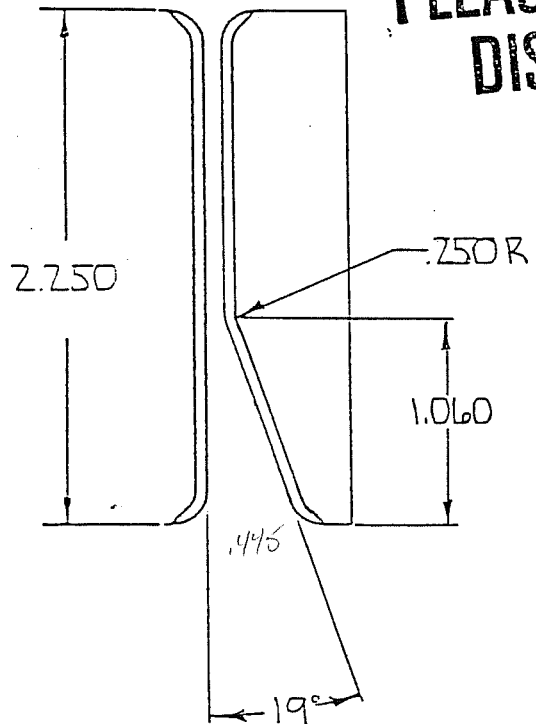
ITEM	QUANTITY	PART NO.	SHAPE	DIM 1	DIM 2	CLEARANCE	C = CHAMFER R = RADIUS
07 THICK TURRET SPL*P&D ASY F/U SPL SHP CARD GUIDE RH PER DWG	1	99107	SP				



- 4 1/2 STW.
- PEGA KING
- .048 M.S.
- 0°-180°

#11

**ORDER  
 ACKNOWLEDGEMENT  
 PLEASE REVIEW FOR  
 DISCREPANCIES**



OPERATION #2  
 RUN WITH ~~XXXXXXXXXX~~  
 07-44

ITEMS ON THIS PAGE 1	SUBTOTAL 3225.00	FREIGHT CHARGE	TOTAL AMOUNT (COD ONLY)
-------------------------	---------------------	----------------	-------------------------