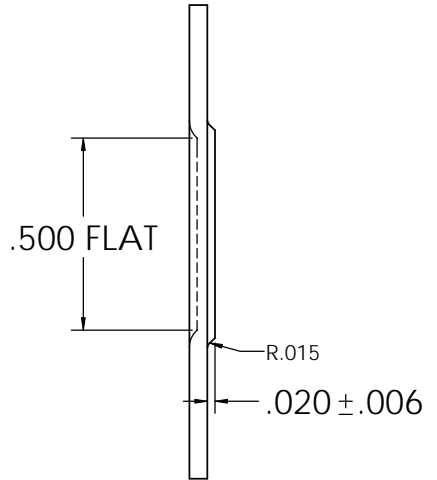
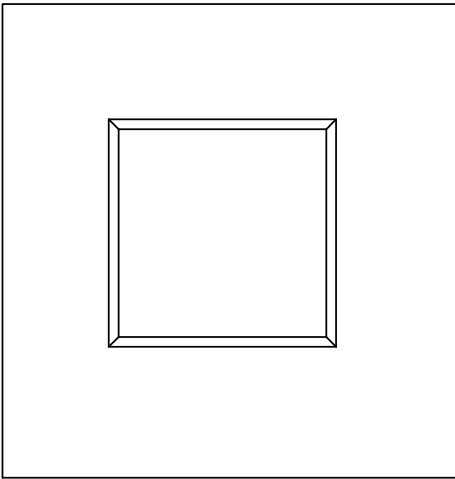


TOBAR FORM TOOL WT07-6872
Mat'l = .048 Mild Steel



Wilson Tool International
 12912 Farnham Avenue
 White Bear Lake, Minnesota 55110

UPS SHIPPER NO. MN 5-65-685
 PKG.I.D.# 07-6872
 [376872]

BT NO. 940439400 PPS NO. 6465

SOLD TO TOBAR INDUSTRY
 161 E EVELYN
 MOUNTAINVIEW CA 94041
 USA

SHIP TO TOBAR INDUSTRY
 355 PIONEER WAY
 MOUNTAINVIEW CA 94041
 USA

P.O. NUMBER 6385 2 OF 3
 SHIP VIA FED EXP STD



ORDER NO. 72	ORDER DATE 06 04 93	TARGET SHIP DATE 06 16 93	ORDER BY	CUSTOMER PHONE NO.	QUESTIONS CONTACT MARTIN PAULAT	TERMS NET 10
-----------------	------------------------	------------------------------	----------	--------------------	------------------------------------	-----------------

INSTRUCTIONS

PACKING LIST

QTY	QUANTITY	PART NO.	SHAPE	DIM1	DIM2	DIM3	CLEARANCE
1	1	02276					0.000
THICK TURRET 1 1/4 SHP F/UONLYP&D ASSY*FORMING SQ .500 PERDWG							
1	1	06121					0.000
WILSON TOOL NOT RESPONSIBLE FOR SHEET DISTORTION							

1 1/4" STATION
 0.048 (1.2) C.R.S.
 PEGA KING
 2x SCALE

