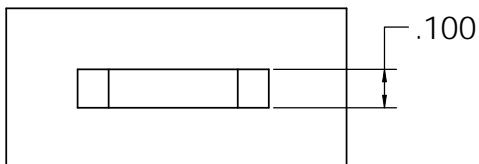
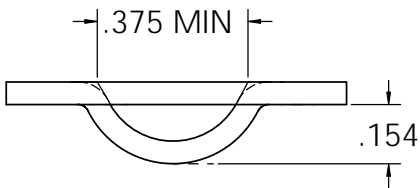




TOBAR FORM TOOL WT08-0162
Mat'l = .059 Mild Steel



Wilson Tool International

12912 Farham Avenue
White Bear Lake, Minnesota 55110

UPS SHIPPER NO. MN 5-65-685

PKG.I.D.# 08-0162

[380162]

NT NO. 940439400 PPS NO. 19426

SOLD TO TOBAR INDUSTRY
161 E EVELYN
MOUNTAINVIEW CA 94041
USA

SHIP TO TOBAR INDUSTRY
161 E. EVELYN AVE
MOUNTAIN VIEW CA 94041
USA

P.O. NUMBER 6395
SHIP VIA FED EXP STD



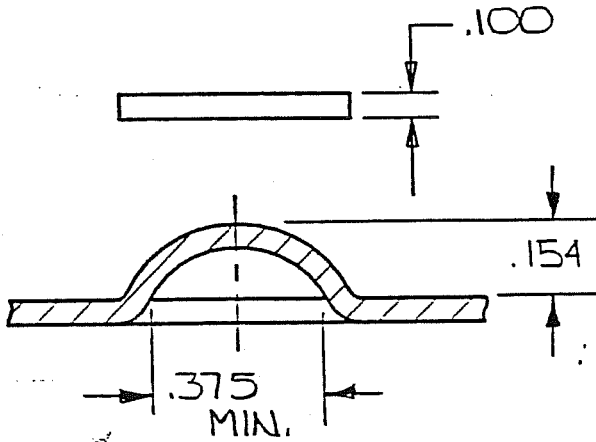
NUMBER 32	ORDER DATE 07 19 93	TARGET SHIP DATE 07 26 93	ORDER BY	CUSTOMER PHONE NO.	QUESTIONS CONTACT PAUL LENZ	TERMS NET 10
--------------	------------------------	------------------------------	----------	--------------------	--------------------------------	-----------------

PACKING LIST

QTY	QUANTITY	PART NO.	SHAPE	DIM1	DIM2	DIM3	CLEARANCE
1	1	02244					0.009

THICK TURRET, 1 1/4 SINGLEBRIDGE LANCE & FORM UP P & D A

*File name:
WTO80162*



STATION: 1 1/4
MAT'L: .059 C.R.S.
MACH: PEGA KING
REPLACEABLE PUNCH TIP

ATS

Cost: 541 25